

LEAD-FREE PRODUCT NO.

72803-X22LF



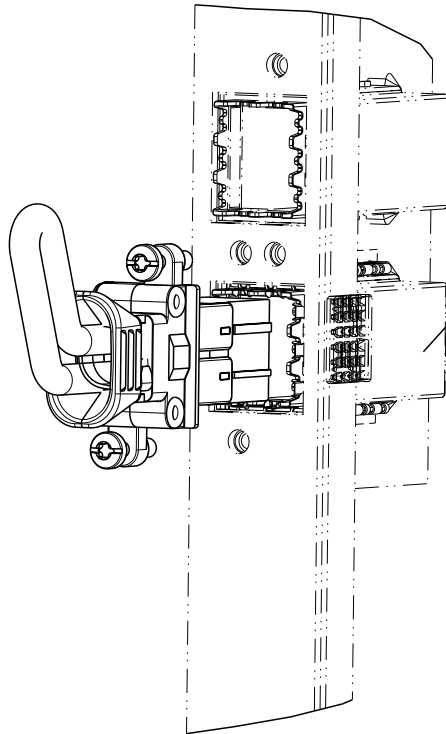
Performance level

72803-1XXLF

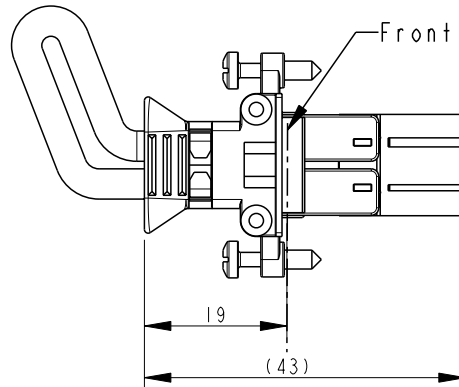
Telcordia CO.

72803-2XXLF

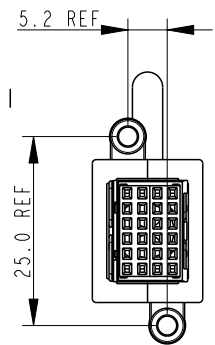
Customer Special



See Shielded Header
P/N 72844-XYLF



Front panel



NOTES:

MATERIALS

- 1 TERMINAL BLOCK.....30% GLASS FILLED POLYAMIDE
- 2 SHROUD.....30% GLASS FILLED POLYAMIDE
FLAME RETARDENT ACC.UL 94-V0
- 3 COVER.....ZINC ALLOY
- 4 TERMINAL.....TINBRONZE
- 5 DISC SPRING.....HARDENED STEEL
- 6 SCREW.....STEEL
- 7 TUBULAR RIVET.....BRASS
- 8 CLAMP.....STEEL
- 9 RoHS INFORMATIONS:

- This "LF" product meets European Union Directives and other country regulations as described in GS-22-008.
- This product is not intended to be exposed to a manufacturing solder process.
- Packaging Spec: GS-14-920.

rev	ecn no	dr	date
C	B20112	E.S.	2002/06/30
D	LS05-0102	JTA	2005/11/11
E	LS06-0084	LGO	2006/07/01
F	LS06-0143	LGO	2006/09/25
G	LS07-0255	JTA	2007/11/13
-	-	-	-
-	-	-	-

CONVERSION ACCORDING GS-STANDARDS

www.fciconnect.com		surface ISO 1302	✓	tolerance std ISO 406 ISO 1101	projection mm	↔	
TOLERANCES UNLESS OTHERWISE SPECIFIED				size A4		Scale 1:1	
Dr	Stroeykens	2002/06/30	ANGULAR	0.X	±0.3	ECN LS07-0255	
Eng	G.Nys	2002/06/30	LINEAR	0.XX	±0.1	RELEASED	
Chr	W.Panis	2002/06/30	0° ±2°	0.XXX	±0.05	SPEC REF	
Appr	W.Panis	2002/06/30	Product family	SOFIX		RELEASED	
		title SHIELDED LOOP CABL. CONN.			dwg no 72803_C		Rev. G
title IDC 24 POS. catalog no		CUSTOMER COPY			sheet 1 of 9		

REV F - 2006-04-17

PDM: Rev:G

STATUS:Released

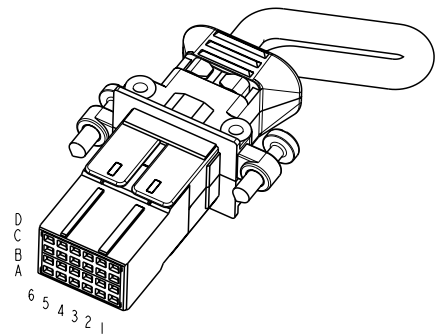
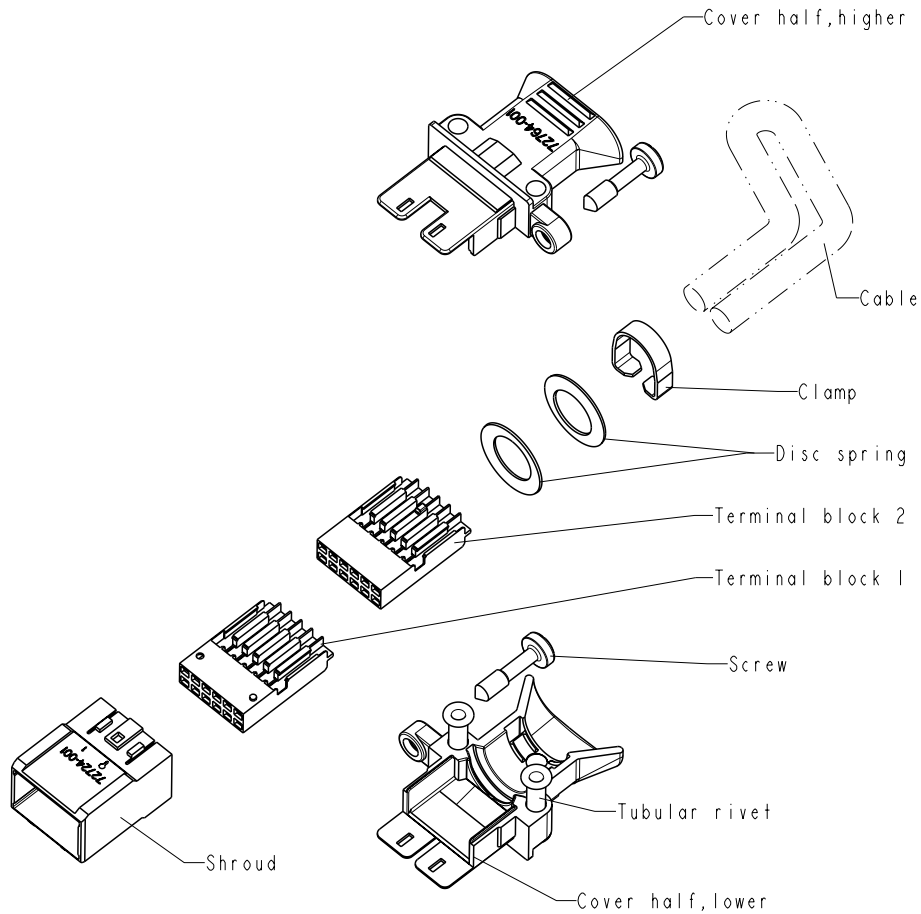
Printed: Jan 30, 2008



Copyright FCI.



Copyright FCI.



www.fciconnect.com			surface ISO 1302		✓	tolerance std ISO 406 ISO 1101		projection 	mm 	
			TOLERANCES UNLESS OTHERWISE SPECIFIED							
Dr	Stroeykens	2002/06/30	ANGULAR	LINEAR	0.X	±0.3	size A4	Scale 1:1		
Eng	G.Nys	2002/06/30			0.XX	±0.1				
Chr	W.Panis	2002/06/30	0°	±y°	0.XXX	±0.05	ECN	LS07-0255		
Appr	W.Panis	2002/06/30	Product family			SOFIX		Spec ref	RELEASED	
		title SHIELDED LOOP CABL. CONN. IDC 24 POS.				dwg no 72803_C			Rev. G	
catalog no		CUSTOMER COPY				sheet 2 of 9				

REV F - 2006-04-17

PDM: Rev:G

STATUS:Released

Printed: Jan 30, 2008

LEAD FREE PART NUMBER

Kit: 72803-X22LF	
COMPONENTS	QTY
SHROUD	1
COVER HALF LOWER	1
COVER HALF HIGHER	1
TUBULAR RIVET	2
DISC SPRING	2
CLAMP	1
TERMINAL BLOCK 1	1
TERMINAL BLOCK 2	1


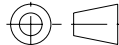
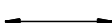



Dimension with oval around are critical dimensions including any attached geometrical tolerance. Other features or stand-alone geometrical tolerances being critical have a note "CRITICAL FEATURE" below the item

A symbol  (x: drawing current revision) will be next to any dimension, view or note which has been modified with the current drawing revision



Copyright FCI.

www.fciconnect.com			surface ISO 1302 		tolerance std ISO 406 ISO 1101		projection 		mm 		
			TOLERANCES UNLESS OTHERWISE SPECIFIED								
Dr	Stroeykens	2002/06/30	ANGULAR	LINEAR	0.X	±0.3	size A4	Scale 1:1			
Eng	G.Nys	2002/06/30			0.XX	±0.1					
Chr	W.Panis	2002/06/30	0° ±y°		0.XXX	±0.05	ECN		LS07-0255		
Appr	W.Panis	2002/06/30	Product family			SOFIX		Spec ref		RELEASED	
		title SHIELDED LOOP CABL. CONN. IDC 24 POS.				dwg no 72803_C			Rev. G		
catalog no		CUSTOMER COPY				sheet 3 of 9					

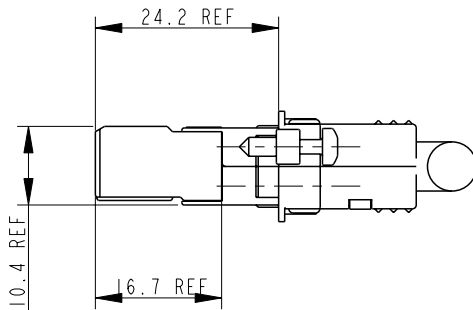
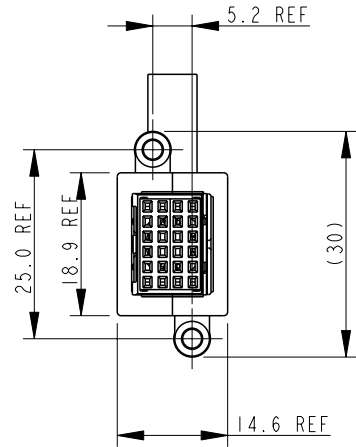
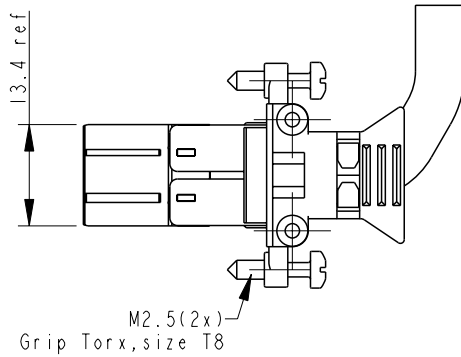
REV F - 2006-04-17

LEAD FREE PRODUCT NO.

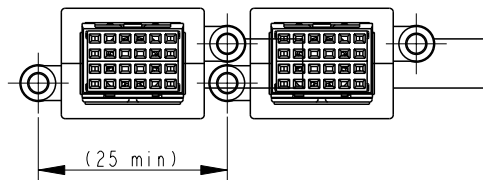
72803-X18LF

72803-X19LF

72803-X20LF



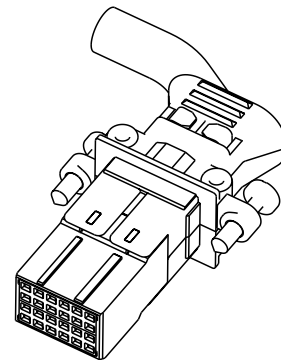
Mounting information



NOTES:

- 1 BODY MATERIAL.....30% GLASS FILLED POLYAMIDE
FLAME RETARDENT ACC.UL 94-V0
- 2 COVER MATERIAL.....ZINC ALLOY
- 3 TERMINAL MATERIAL.....TINBRONZE
- 4 CUP SPRING MATERIAL.....HARDENED STEEL
- 5 SCREW MATERIAL.....STEEL
- 6 TUBULAR RIVET MATERIAL...BRASS
- 7 PRODUCT MARKING.....PARTNUMBER & MANUFACT. DATE
- 8 RoHS INFORMATIONS:

- This "LF" product meets European Union Directives and other country regulations as described in GS-22-008.
- This product is not intended to be exposed to a manufacturing solder process.
- Packaging Spec: GS-14-920.



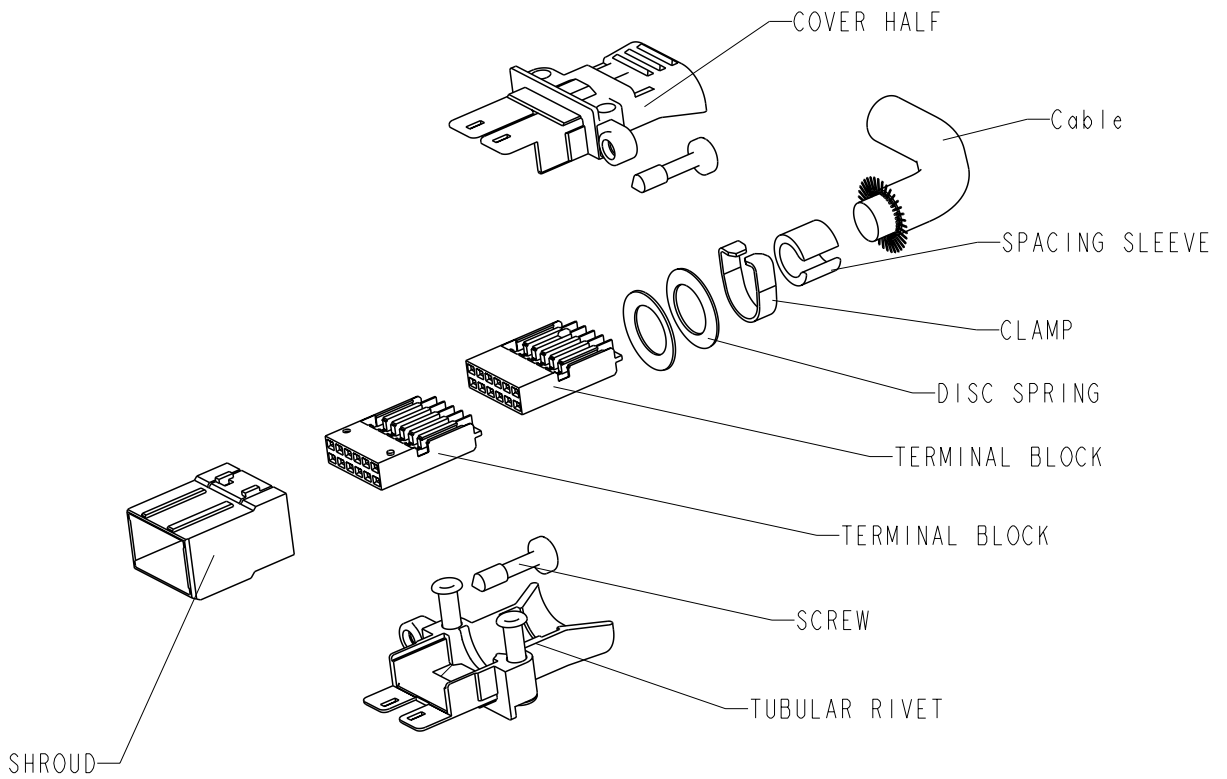
Copyright FCI.

www.fciconnect.com			surface ISO 1302	✓	tolerance std ISO 406 ISO 1101	projection 	mm
TOLERANCES UNLESS OTHERWISE SPECIFIED							
Dr	Stroeykens	2002/06/30	ANGULAR	LINEAR	0.X	±0.3	size A4
Eng	G.Nys	2002/06/30			0.XX	±0.1	
Chr	W.Panis	2002/06/30	0° ±y°		0.XXX	±0.05	ECN LS07-0255
Appr	W.Panis	2002/06/30	Product family			SOFIX	Spec ref RELEASED
	title SHIELDED LOOP CABL. CONN.				dwg no 72803_C		Rev. G
	+ IDC 24 POS.						
catalog no				CUSTOMER COPY			sheet 4 of 9

REV F - 2006-04-17



Copyright FCI.



www.fciconnect.com			surface ISO 1302		tolerance std ISO 406 ISO 1101		projection 		mm 	
TOLERANCES UNLESS OTHERWISE SPECIFIED					size		A4		Scale 1:1	
Dr	Stroeykens	2002/06/30	ANGULAR	LINEAR	0.X	±0.3	ECN		LS07-0255	
Eng	G.Nys	2002/06/30			0.XX	±0.1	Spec ref		RELEASED	
Chr	W.Panis	2002/06/30	0° ±y°		0.XXX	±0.05				
Appr	W.Panis	2002/06/30	Product family			SOFIX				
			title SHIELDED LOOP CABL. CONN. IDC 24 POS.			dwg no 72803_C			Rev. G	
catalog no			CUSTOMER COPY			sheet 5 of 9				

REV F - 2006-04-17

PDM: Rev:G

STATUS:Released


Printed: Jan 30, 2008

LEAD FREE PART NUMBER

Kit: 72803-X22LF 72803-X19LF 72803-X20LF	
COMPONENTS	QTY
SHROUD	1
COVER HALF	1
COVER HALF	1
TUBULAR RIVET	2
SCREW	2
DISC SPRING	2
CLAMP	1
TERMINAL BLOCK 1	1
TERMINAL BLOCK 2	1
SPACING SLEEVE	1
CABLE	1

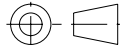
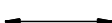



Dimension with oval around are critical dimensions including any attached geometrical tolerance. Other features or stand-alone geometrical tolerances being critical have a note "CRITICAL FEATURE" below the item

A symbol  (x: drawing current revision) will be next to any dimension, view or note which has been modified with the current drawing revision

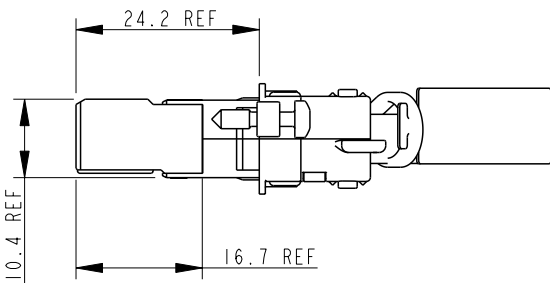
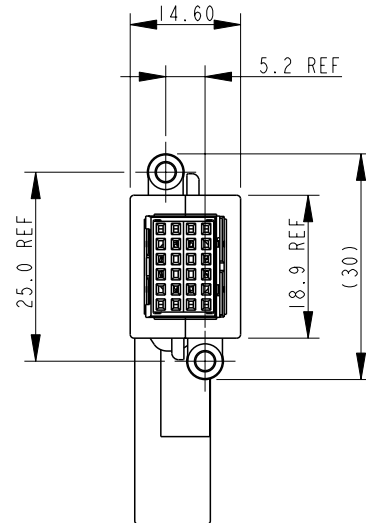
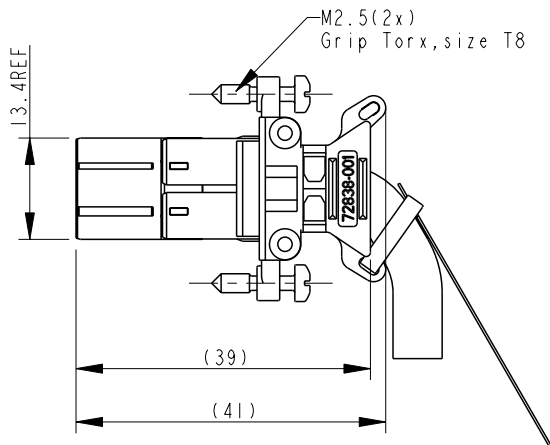


Copyright FCI.

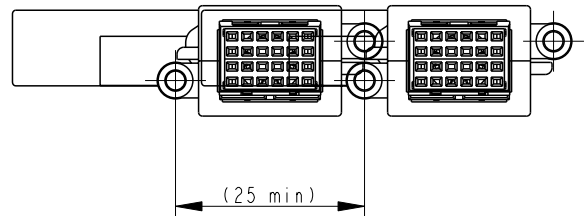
www.fciconnect.com			surface <input checked="" type="checkbox"/> ISO 1302		tolerance std ISO 406 ISO 1101		projection 		mm 		
TOLERANCES UNLESS OTHERWISE SPECIFIED											
Dr	Stroeykens	2002/06/30	ANGULAR	LINEAR	0.X	±0.3	size A4	Scale 1:1			
Eng	G.Nys	2002/06/30			0.XX	±0.1					
Chr	W.Panis	2002/06/30	0° ±y°		0.XXX	±0.05	ECN LS07-0255				
Appr	W.Panis	2002/06/30	Product family			SOFIX		Spec ref		RELEASED	
		title SHIELDED LOOP CABL. CONN. IDC 24 POS.				dwg no 72803_C			Rev. G		
catalog no		CUSTOMER COPY				sheet 6 of 9					

REV F - 2006-04-17

LEAD FREE PRODUCT NO.
72803-X24LF
72803-X25LF
72803-X26LF

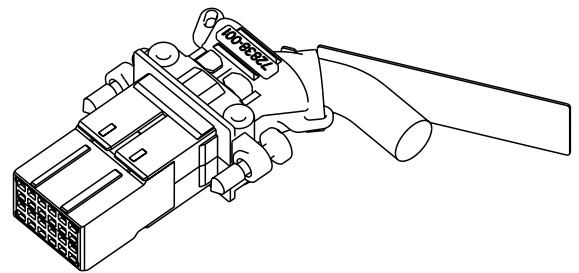


Mounting information



NOTES:

- 1 BODY MATERIAL.....30% GLASS FILLED POLYAMIDE
FLAME RETARDANT ACC.UL 94-V0
- 2 COVER MATERIAL.....ZINC ALLOY
- 3 TERMINAL MATERIAL.....TINBRONZE
- 4 CUP SPRING MATERIAL.....HARDENED STEEL
- 5 SCREW MATERIAL.....STEEL
- 6 TUBULAR RIVET MATERIAL...BRASS
- 7 PRODUCT MARKING.....PARTNUMBER & MANUFACT. DATE
- 8 RoHS INFORMATIONS:
-This "LF" product meets European Union Directives and other country regulations as described in GS-22-008.
-This product is not intended to be exposed to a manufacturing solder process.
-Packaging Spec: GS-14-920.



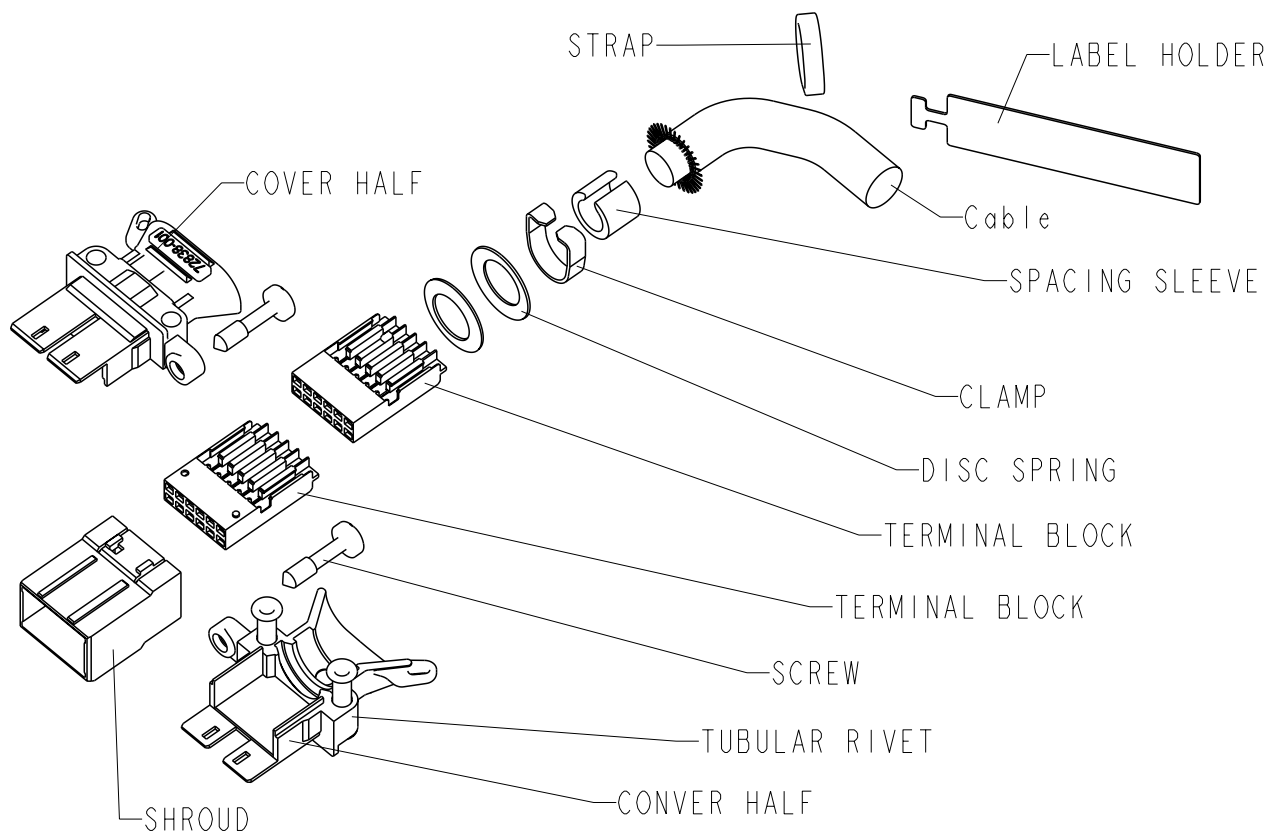
Copyright FCI.

www.fciconnect.com			surface ISO 1302	✓	tolerance std ISO 406 ISO 1101	projection mm	mm	
			TOLERANCES UNLESS OTHERWISE SPECIFIED				↔	
Dr	Stroeykens	2002/06/30	ANGULAR	LINEAR	0.X	±0.3	size A4	Scale 1:1
Eng	G.Nys	2002/06/30			0.XX	±0.1		
Chr	W.Panis	2002/06/30	0°	±y°	0.XXX	±0.05	ECN	LS07-0255
Appr	W.Panis	2002/06/30	Product family			SOFIX	Spec ref	RELEASED
FCI	title SHIELDED LOOP CABL. CONN.				dwg no	72803_C		Rev.
	IDC 24 POS.							G
catalog no				CUSTOMER COPY			sheet 7 of 9	

REV F - 2006-04-17



Copyright FCI.



www.fciconnect.com			surface ISO 1302		tolerance std ISO 406 ISO 1101		projection 		mm 		
TOLERANCES UNLESS OTHERWISE SPECIFIED					size		A4		Scale 1:1		
Dr	Stroeykens	2002/06/30	ANGULAR	LINEAR	0.X	±0.3	ECN		LS07-0255		
Eng	G.Nys	2002/06/30			0.XX	±0.1	Spec ref		RELEASED		
Chr	W.Panis	2002/06/30	0°	±y°	0.XXX	±0.05	Product family		SOFIX		
Appr	W.Panis	2002/06/30	Product family			SOFIX		Spec ref		RELEASED	
		title SHIELDED LOOP CABL. CONN. IDC 24 POS.				dwg no 72803_C		Rev. G		sheet 8 of 9	
catalog no		CUSTOMER COPY				sheet 8 of 9					

REV F - 2006-04-17

PDM: Rev:G

STATUS:Released

Printed: Jan 30, 2008

LEAD FREE PART NUMBER

Kit: 72803-X24LF
72803-X25LF
72803-X26LF



COMPONENTS	QTY
SHROUD	1
COVER HALF	1
COVER HALF	1
TUBULAR RIVET	2
SCREW	2
LABEL HOLDER	1
DISC SPRING	2
CLAMP	1
TERMINAL BLOCK 1	1
TERMINAL BLOCK 2	1
SPACING SLEEVE	1
CABLE	1



Dimension with oval around are critical dimensions including any attached geometrical tolerance. Other features or stand-alone geometrical tolerances being critical have a note "CRITICAL FEATURE" below the item

A symbol (x: drawing current revision) will be next to any dimension, view or note which has been modified with the current drawing revision



Copyright FCI.

www.fciconnect.com			surface ISO 1302		tolerance std ISO 406 ISO 1101		projection 		mm 			
			TOLERANCES UNLESS OTHERWISE SPECIFIED									
Dr	Stroeykens	2002/06/30	ANGULAR	LINEAR	0.X	±0.3	size A4	ECN LS07-0255	Scale 1:1			
Eng	G.Nys	2002/06/30			0.XX	±0.1						
Chr	W.Panis	2002/06/30	0°	±y°	0.XXX	±0.05	Spec ref		RELEASED			
Appr	W.Panis	2002/06/30	Product family				SOFIX					
		title SHIELDED LOOP CABL. CONN. IDC 24 POS.				dwg no 72803_C				Rev. G		
catalog no		CUSTOMER COPY				sheet 9 of 9						

REV F - 2006-04-17